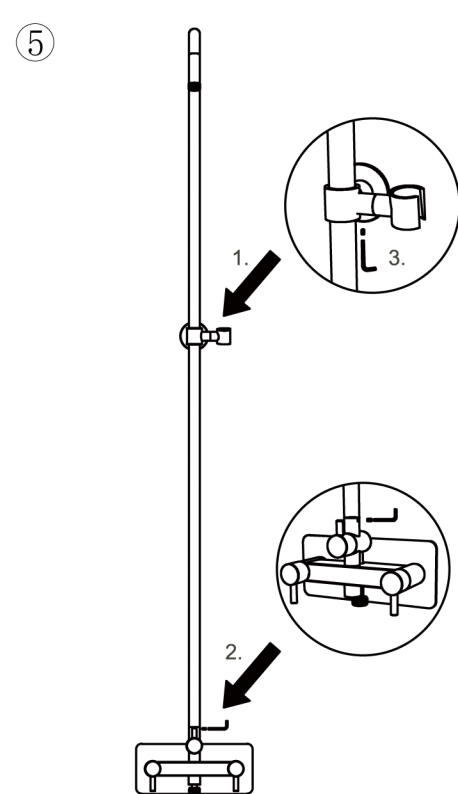


1. Insert the shower tube into the body to keep the tube vertical;  
2. Mark the installation position for parts G-J, take down the shower tube, install the parts G-J on the marked position;



1. Insert the shower tube into the body, put the shower tube into the fixed base on the wall  
2. Fix the body with screw. ⚠ Attention: When the screw is turned to position, back out a little to keep the tube aligned with the body;  
3. Fix the shower tube with screw

